

GUARDRAILS

GUARDRAILS

MACHINE GUARDS

INDUSTRIAL GRADE
GUARDRAILS

RACK POST
PROTECTORS

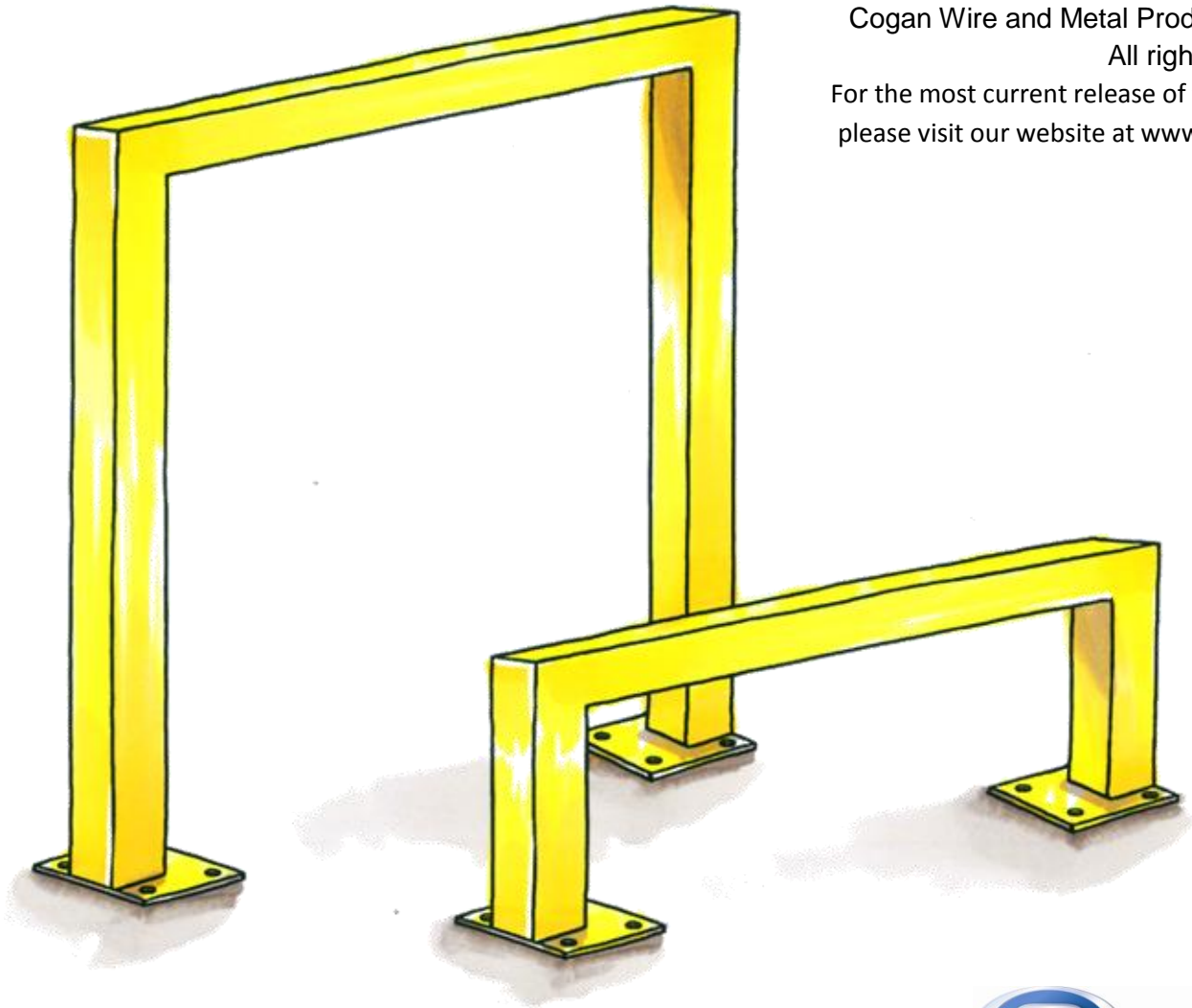
RACK PALS

BOLLARDS

NOTES

MACHINE GUARDS

- EASY TO INSTALL STRONG PROTECTORS.
- SECURITY YELLOW FINISH ENSURES PROPER VISIBILITY.



Copyright © September 2009,
Cogan Wire and Metal Products Ltd.

All rights reserved

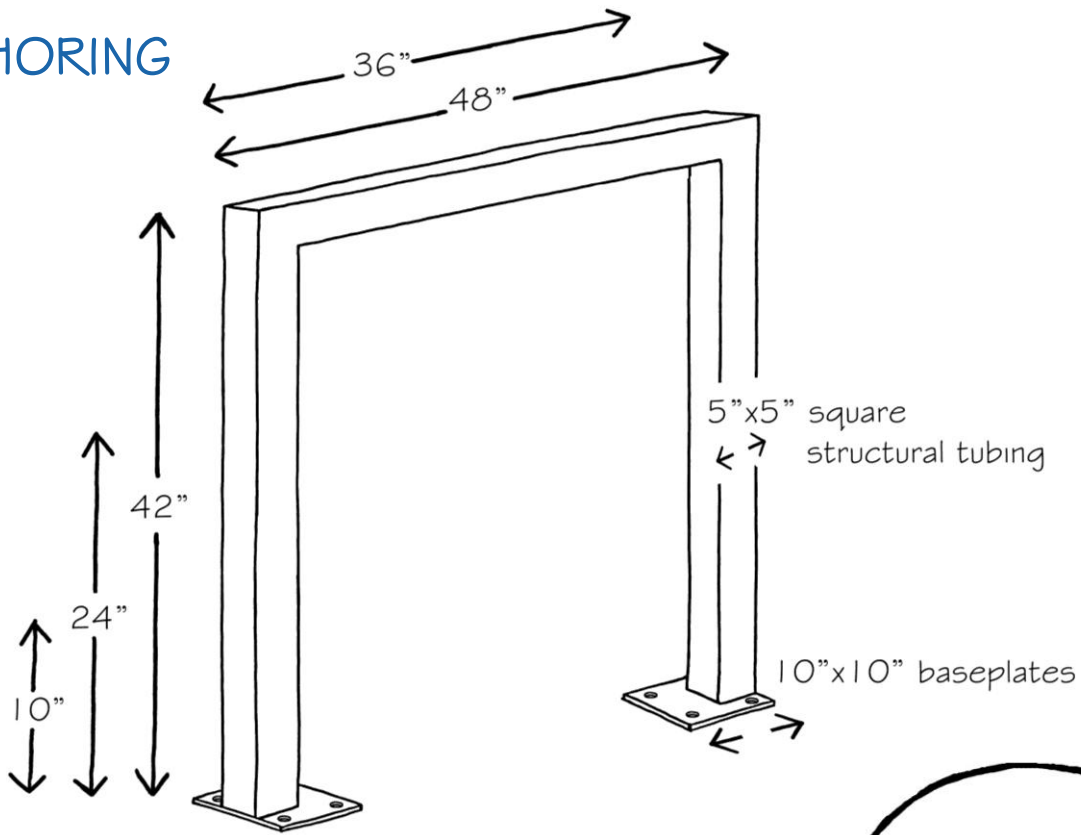
For the most current release of this manual,
please visit our website at www.cogan.com

V.28.02.09

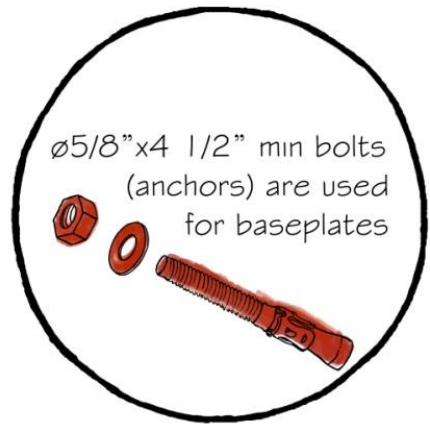
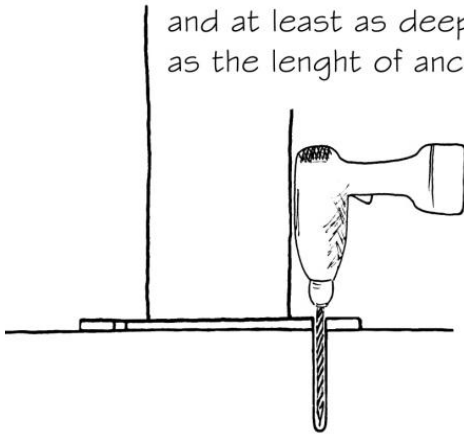


Cogan[®] **FASTER.
LEANER.
BETTER.**[™]

ANCHORING



Hammer drill a hole same nominal diameter and at least as deep as the length of anchors



Drive the hilti bolt in the hole so that at least **6 threads** are below the top surface of fixture. Then tighten to the recommended torque value to achieve proper anchor setting

Clean hole with blow out bulb

