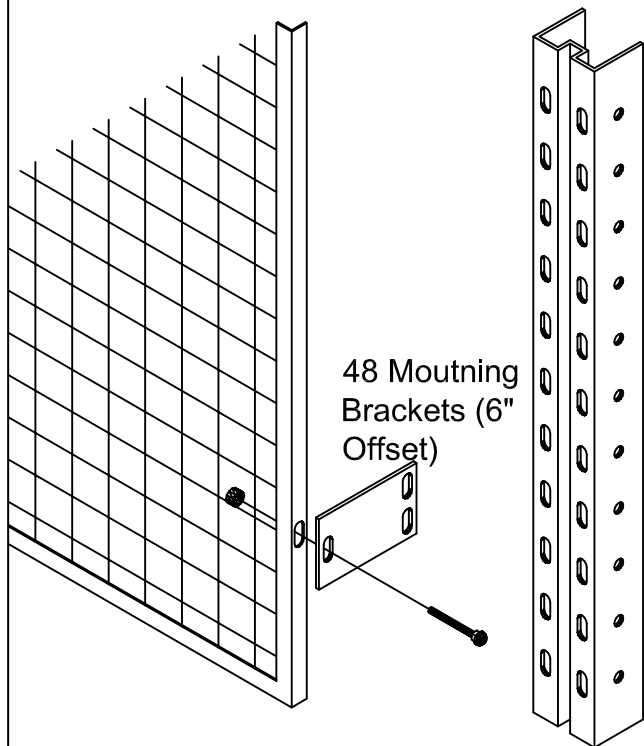


QTY: 12



PARTITION SPECIFICATIONS
 PANEL FRAMES ARE MADE OF ANGLE 1 1/4"x1 1/4" HEAVY DUTY STRUCTURAL STEEL, SHAPED FOR EXTRA STRENGTH. CORNERS ARE NOTCHED AND SEAM WELDED. WIRE MESH IS 2"x2" 10ga (.134") CLEAN BRIGHT WIRE, RESISTANCE WELDED AT EVERY JOINT AND WELDED TO THE FRAME AT EVERY 6". 8' PANELS ARE REINFORCED WITH TWO 1/2" ROUND BARS, DIVIDING THE PANEL IN THREE EQUAL SECTIONS.

FIELD MEASUREMENTS
 ALL FIELD MEASUREMENTS MUST BE VERIFIED AND GIVEN TO COGAN, IN OPENING SIZE WITH NO REDUCTIONS. COGAN WILL REDUCE ALL OPENINGS ACCORDING TO THEIR NEED FOR DOOR AND PANEL CLEARANCE REQUIREMENTS.

VERY IMPORTANT NOTES:

- THE COMPONENTS ARE COLORED WITH ONE COAT OF COGAN POWDER GRAY PAINT.
- ALL DIMENSIONS ARE EXACT.

IMPORTANT NOTE

THE CLIENT AND/OR OWNER SHALL BE RESPONSIBLE FOR ALL QUANTITIES AND DIMENSIONS INCLUDING THE VERIFICATION OF, AND COORDINATION WITH FIELD CONDITIONS. THE CLIENT AND/OR OWNER SHALL VERIFY ALL CRITICAL DIMENSIONS AND CONDITIONS OF EXISTING CONSTRUCTION THAT RELATE TO THIS PARTITION PROJECT PRIOR TO MANUFACTURING. COGAN MUST BE NOTIFIED IN WRITING OF ANY ELEMENTS FOUND TO BE INCONSISTENT OR NOT COMPATIBLE WITH THE DETAILS INDICATED BY THESE APPROVAL DRAWINGS.

THE CLIENT AND/OR OWNER MUST SUBMIT SIGNED (APPROVED) DRAWINGS PRIOR TO THE START OF THE PARTITION PRODUCTION.

APPROVED BY: _____

SIGNATURE: _____

DATE: _____



DO NOT MAKE ANY MODIFICATIONS TO CORRECT ANY PROBLEM, BE IT PRODUCT OR SITE CONDITION, WITHOUT FIRST CONTACTING OUR CUSTOMER SUPPORT DEPARTMENT AT COGAN WIRE (1-800-567-2642). DOING SO MAY AFFECT YOUR PRODUCT WARRANTY AND COGAN WILL NOT BE RESPONSIBLE FOR ANY UNAUTHORIZED WORK. CUSTOMER SUPPORT IS AVAILABLE DURING REGULAR BUSINESS HOURS 8AM-5PM, MONDAY-FRIDAY.

PROJECT NAME: *****					
CLIENT NAME: *****			DRAWING #: *****		
SCALE: ***	DATE: ***_**_***	DRAWN BY: ***	VERIFIED BY: ***	REVISION: X	PAGE: 1/1